

REV.	DESCRIPTION	DRAWN	CHECKED	APPROVED
A	NEW RELEASE	Kevin 11/25/16'	Andy_H 11/25/16'	LJC 11/25/16'

- NOTES:
- Materials:
 - Insulator: High Temperature ,UL94-V0
 - Terminal: Copper Alloy, Plating Ni 30~50u", Plating Gold Flash.
 - Specifications:
 - Temperature Range: -40~+105° C.
 - Contact Resistance: 20mΩ maximum.
 - Insulation Resistance: 1000MΩ minimum.
 - Dielectric Withstanding Voltage: 500V AC 1 minute.
 - Current Rating: 3A max per pin.
 - Product Number Code:

DS1146-01 - X X X X X X

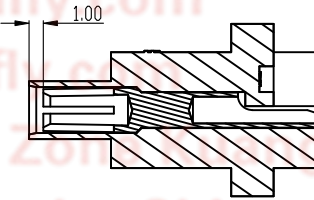
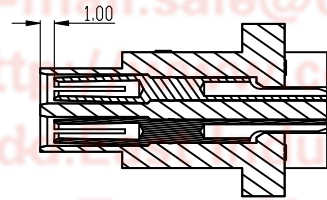
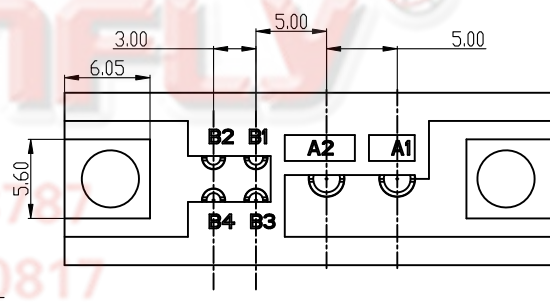
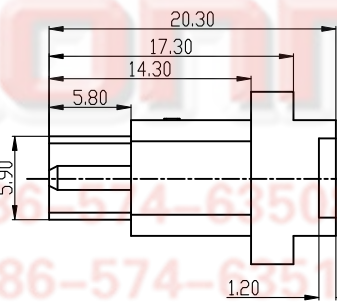
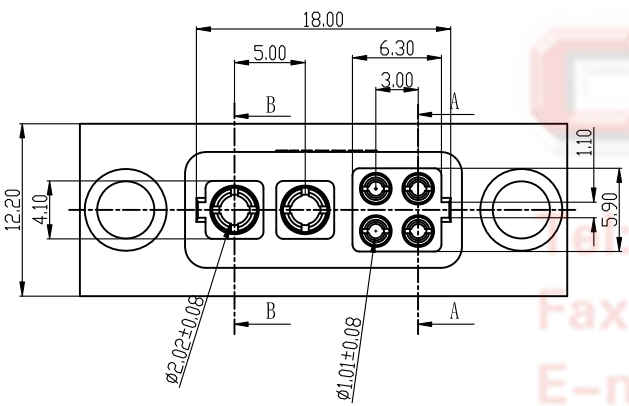
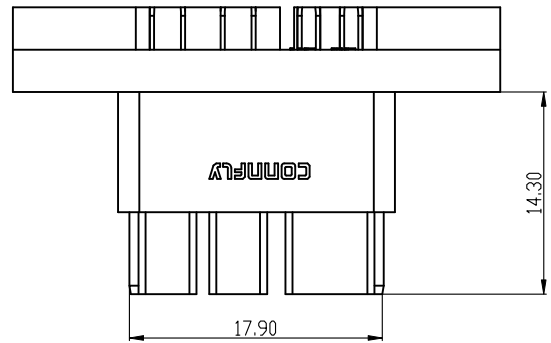
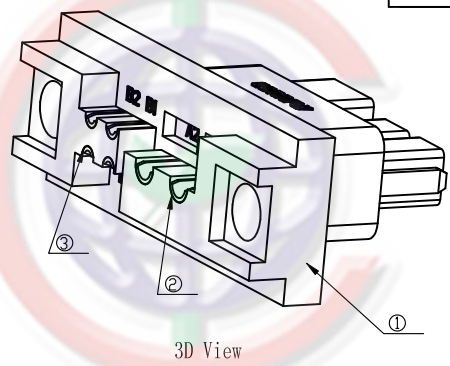
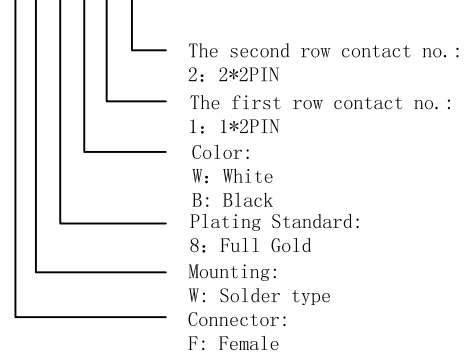



Table A:

No.	Part Name	QTY	Material	UL Rated	Finishes/Color	Remarks
序号	名称	数量	材质	UL Rated	处理/颜色	备注
4	TERMINAL 3	4	Copper Alloy		Full Gold	
3	TERMINAL 2	2	Copper Alloy		Full Gold	
2	TERMINAL 1	2	Copper Alloy		Full Gold	
1	HOUSING	1	High Temperature	94V-0	Color: White	

GENERAL TOLERANCE		ANGLE TOLERANCE	
X.	±0.60	X.	±5°
.X	±0.38	.X	±3°
.XX	±0.25	.XX	±2°

PROJECTION	TITLE
UNITS	3.0*5.0mm(2+4) FEMALE MACHINE
SHEET SIZE	PIN SOLDER TYPE
A4	SERIES DS1146-01 SERIES

DRAWING TYPE	CUSTOMER
SCALE	1:1 SHEET 1 OF 1
DRAWING NO.	C-DS1146-01 - F X X X X X-A


晨翔电子有限公司
CONNFLY CONNFLY ELECTRONIC CO. LTD

Tel: 86-574-63503781
 Fax: 86-574-63510817
 E-mail: sale@connfly.com
 http://www.connfly.com
 Address: Industry Zone, Yuyao
 Town Cixi Ningbo China
 P.C: 315333

REV.	DESCRIPTION	DRAWN	CHECKED	APPROVED
A	NEW RELEASE	Kevin 11/25/16'	Andy_H 11/25/16'	LJC 11/25/16'

NOTES:

- Materials:
 - Insulator: High Temperature ,UL94-V0
 - Terminal: Copper Alloy, Plating Ni 30~50u", Plating Gold Flash.
- Specifications:
 - Temperature Range: -40~+105° C.
 - Contact Resistance: 20mΩ maximum.
 - Insulation Resistance: 1000MΩ minimum.
 - Dielectric Withstanding Voltage: 500V AC 1 minute.
 - Current Rating: 3A max per pin.
- Product Number Code:

DS1146-01 - X X X X X X

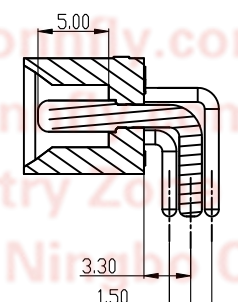
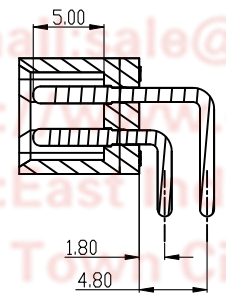
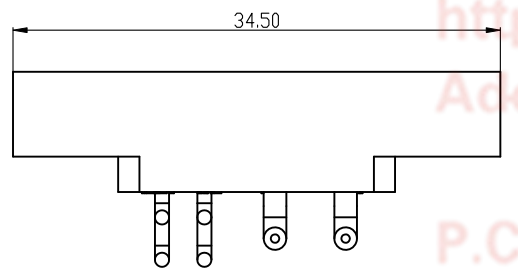
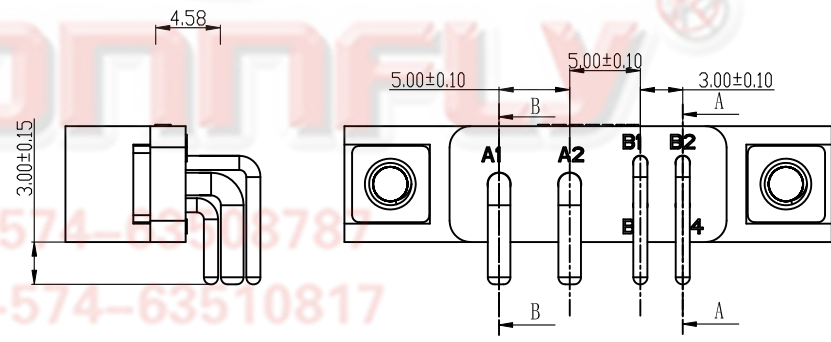
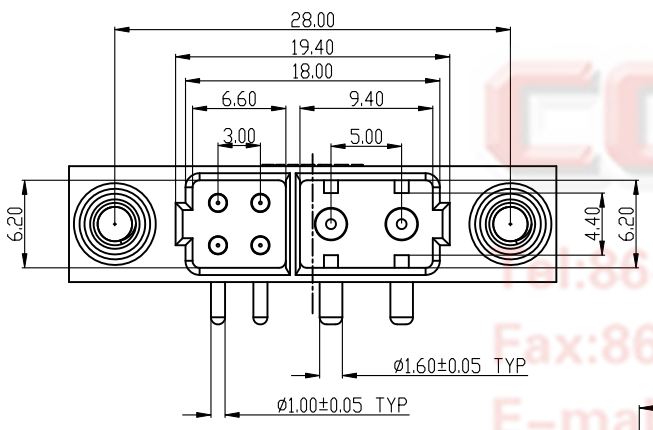
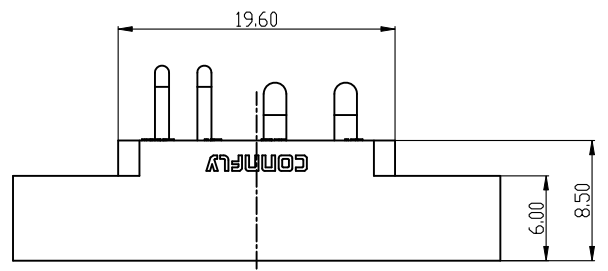
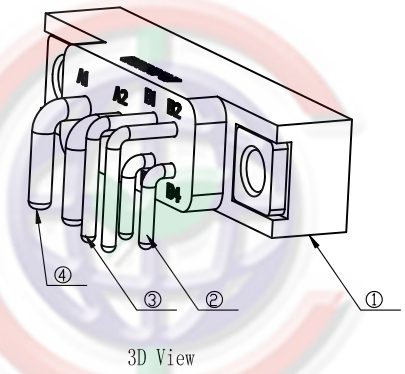
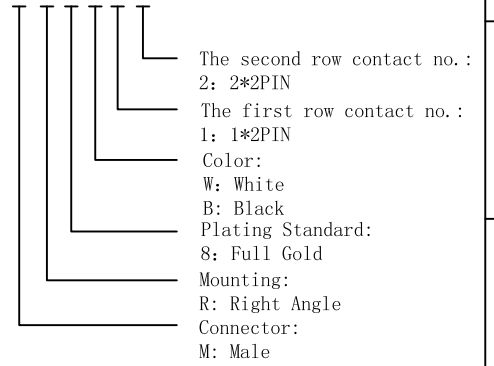


Table A:

No.	Part Name	QTY	Material	UL Rated	Finishes/Color	Remarks
序号	名称	数量	材质	UL Rated	处理/颜色	备注
4	TERMINAL 3	4	Copper Alloy		Full Gold	
3	TERMINAL 2	2	Copper Alloy		Full Gold	
2	TERMINAL 1	2	Copper Alloy		Full Gold	
1	HOUSING	1	High Temperature	94V-0	Color: White	

GENERAL TOLERANCE		ANGLE TOLERANCE	
X.	±0.60	X.	±5°
.X	±0.38	.X	±3°
.XX	±0.25	.XX	±2°

PROJECTION		TITLE	3.0*5.0mm(2+4) MALE MACHINE PIN
UNITS	mm	R/A TYPE	
SHEET SIZE	A4	SERIES	DS1146-01 SERIES

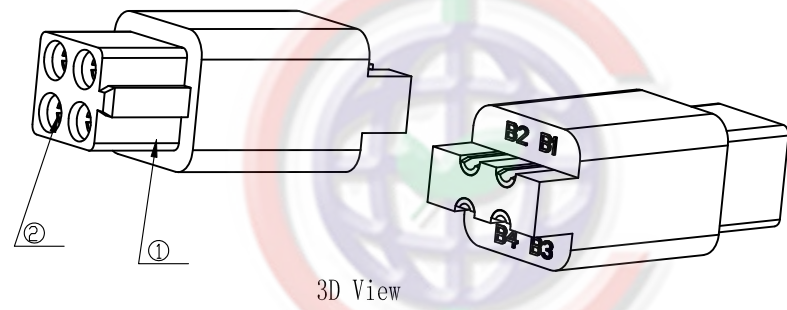
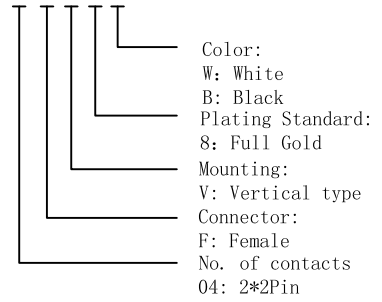
DRAWING TYPE	CUSTOMER		
SCALE	1:1	SHEET	1 OF 1
DRAWING NO.	C-DS1146-01 - M X X X X X-A		

晨翔电子有限公司
CONNFLY CONNFLY ELECTRONIC CO. LTD

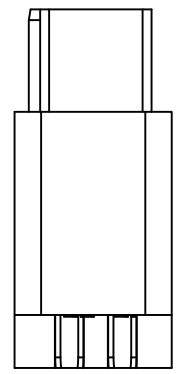
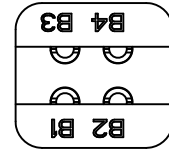
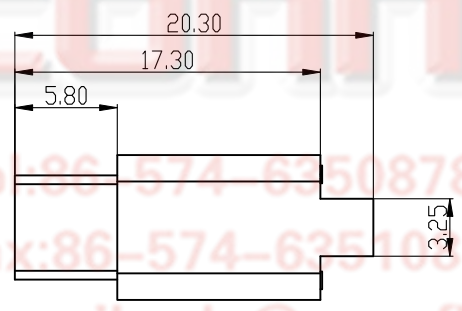
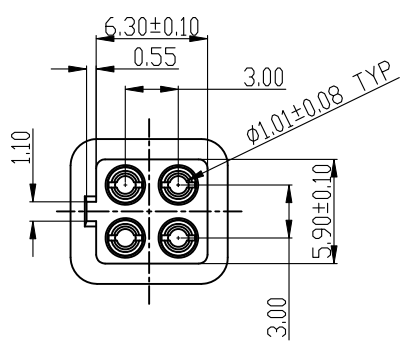
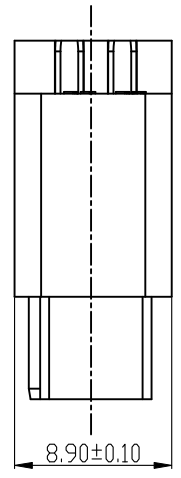
REV.	DESCRIPTION	DRAWN	CHECKED	APPROVED
A	NEW RELEASE	Kevin 11/25/16'	Andy_H 11/25/16'	LJC 11/25/16'

- NOTES:
- Materials:
 - Insulator: High Temperature ,UL94-V0
 - Terminal: Copper Alloy, Plating Ni 30~50u", Plating Gold Flash.
 - Specifications:
 - Temperature Range: -40~+105° C.
 - Contact Resistance: 20mΩ maximum.
 - Insulation Resistance: 1000MΩ minimum.
 - Dielectric Withstanding Voltage: 500V AC 1 minute.
 - Current Rating: 3A max per pin.
 - Product Number Code:

DS1146-01 - X X X X X



3D View



CONNFLY®

Tel: 86-574-62508787
 Fax: 86-574-62510517
 E-mail: sale@connfly.com
 http://www.connfly.com
 Add: East Industry Zone KuangYan
 Town Cixi Ningbo China
 P.C: 315333

Table A:

2	端子1	4	Copper Alloy		Full Gold	
1	塑胶主体	1	High Temperature	94V-0	Color: White	
No.	Part Name	QTY	Material	UL Rated	Finishes/Color	Remarks
序号	名称	数量	材质		处理/颜色	备注

GENERAL TOLERANCE		ANGLE TOLERANCE	
X.	±0.60	X.	±5°
.X	±0.38	.X	±3°
.XX	±0.25	.XX	±2°

PROJECTION	TITLE
UNITS	3.0mm 4 POSITIONS FEMALE MACHINE PIN SOLDER TYPE
SHEET SIZE	A4
SERIES	DS1146-01 SERIES

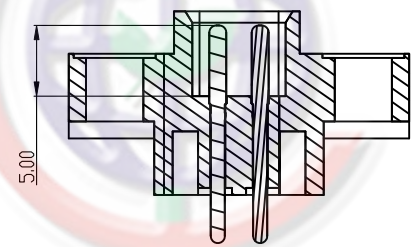
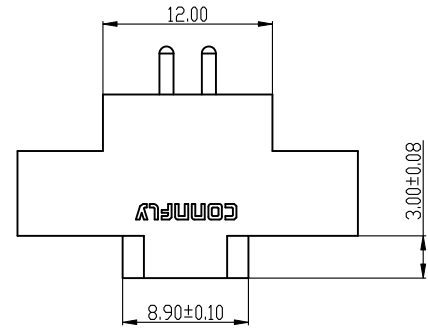
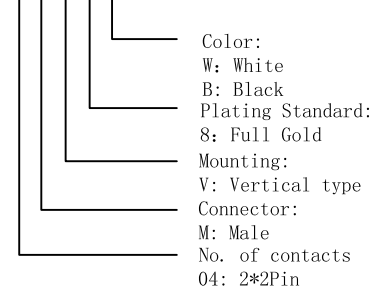
DRAWING TYPE	CUSTOMER
SCALE	1:1 SHEET 1 OF 1
DRAWING NO.	C-DS1146-01-XFXXXX-A

晨翔电子有限公司
CONNFLY CONNFLY ELECTRONIC CO. LTD

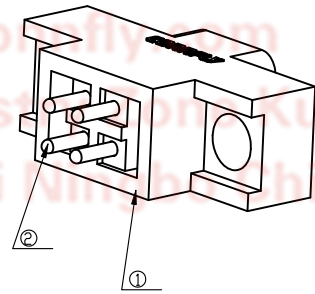
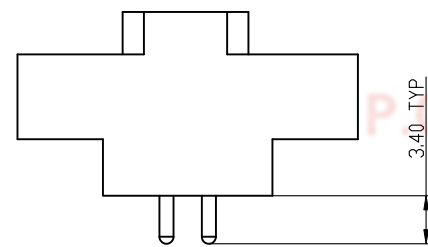
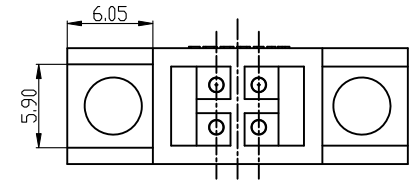
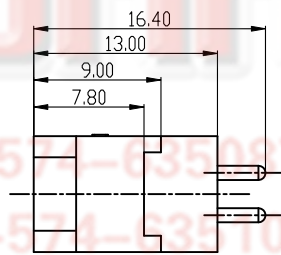
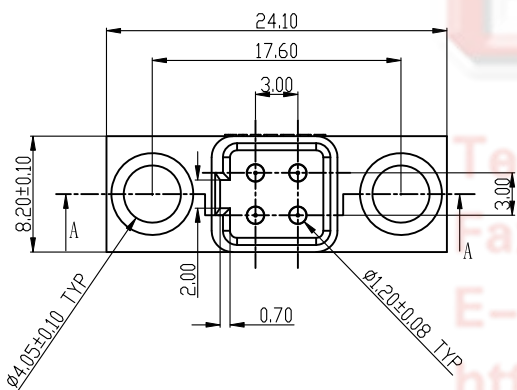
REV.	DESCRIPTION	DRAWN	CHECKED	APPROVED
A	NEW RELEASE	Kevin 11/25/16'	Andy_H 11/25/16'	LJC 11/25/16'

- NOTES:
- Materials:
 - Insulator: High Temperature ,UL94-V0
 - Terminal: Copper Alloy, Plating Ni 30~50u", Plating Gold Flash.
 - Specifications:
 - Temperature Range: -40~+105° C.
 - Contact Resistance: 20mΩ maximum.
 - Insulation Resistance: 1000MΩ minimum.
 - Dielectric Withstanding Voltage: 500V AC 1 minute.
 - Current Rating: 3A max per pin.
 - Product Number Code:

DS1146-01 - X X X X X



SECTION A-A



3D View

Tel:86-574-63508787
 Fax:86-574-63510817
 E-mail:sale@connfly.com
 http://www.connfly.com
 Add:East Industrial Park, KuangYan
 Town Cixi Ningbo, China
 P.C:315333


Table A:

2	端子1	4	Copper Alloy		Full Gold	
1	塑胶主体	1	High Temperature	94V-0	Color: White	
No.	Part Name	QTY	Material	UL Rated	Finishes/Color	Remarks
序号	名称	数量	材质		处理/颜色	备注

GENERAL TOLERANCE		ANGLE TOLERANCE	
X.	±0.60	X.	±5°
.X	±0.38	.X	±3°
.XX	±0.25	.XX	±2°

PROJECTION	TITLE
UNITS	3.0mm 4 POSITIONS MALE MACHINE PIN V/T TYPE
SHEET SIZE	A4
SERIES	DS1146-01 SERIES

DRAWING TYPE	CUSTOMER
SCALE	1:1
DRAWING NO.	C-DS1146-01-XMXXX-A


晨翔电子有限公司
CONNFLY CONNFLY ELECTRONIC CO. LTD