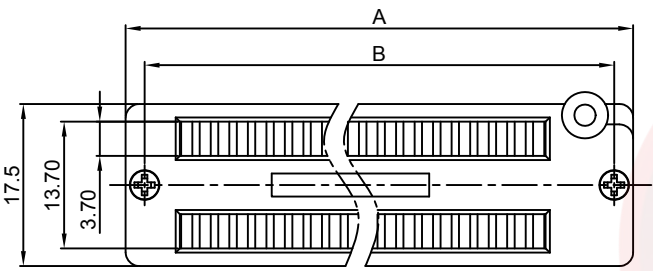


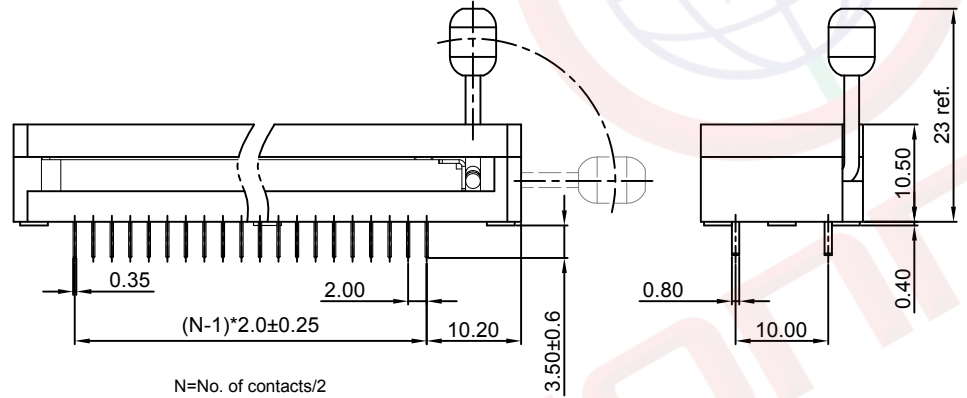
Dept	
Qty	
DC	1
ED	1
IE	1
ISO	1
PD	1
R&D	1
SD	1
QA	1
QC	1
QE	1

The information provided herein is from CONNPLY Electronic Co., Ltd. and is confidential. Any disclosure to a party other than the recipient is prohibited. The intellectual properties and its rights contained herein, including but not limited to, trademarks, patents, copyrights, trade secrets, and technical know-how, are owned exclusively by CONNPLY or its affiliates. Unauthorized use or reproduction of any part of this document is strictly prohibited. CONNPLY may enforce its intellectual property rights at its own discretion, failures or delays to exercise such rights does not constitute a waiver of such rights.

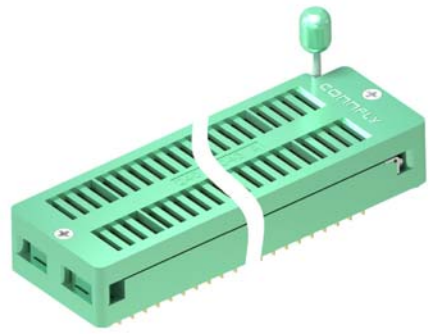
REV.	DESCRIPTION	DRAWN	CHECKED	APPROVED
A	NEW RELEASE	LJH 05/24/05'		LJC 05/24/05'
B	DRAWING UPDATE	JLZ 10/28/20'		



Positions	A	B
24	38.8	34.7
28	42.8	38.7
32	46.8	42.7
34	48.8	44.7
40	54.8	50.7



N=No. of contacts/2



(Series Image-Reference Only)

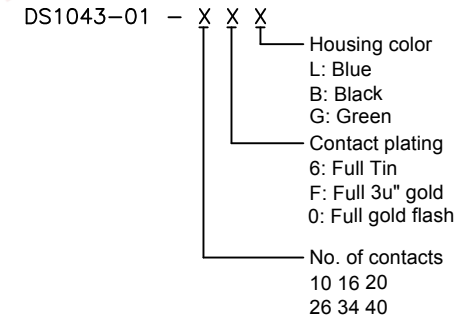
1. Features

- 1.1. Compact mechanical construction to ensure long term life.
- 1.2. Zero insertion and extraction pressure.
- 1.3. standard 0.079(2.00mm) IC pitch,easy to mount in PC board.
- 1.4. All plastics are UL 94v-0 grade fire retardant.
- 1.5. Gold plated contact to ensure low contact resistance and long operation life.

2. Specification

- 2.1. Electrical:
 - 2.1.1. Rating:50VDC,100mA.
 - 2.1.2. Contact Resistance: 50mΩ Max.
 - 2.1.3. Insulation Resistance:1000MΩ Min.
 - 2.1.4. Dielectric withstanding volatage:500VDC min. for 60 seconds.Capacitance between adjacent contacts.
- 2.2. Mechanical and envermental
 - 2.2.1. Temperature Rating:
 - 2.2.2. Operating:-40℃ to +105℃
 - 2.2.3. Durability:25,000 cycles(with load)
 - 2.2.4. Humidity:95%RH,40℃ for 48 Hrs.
 - 2.2.5. Solderability:After flux 230℃ for 5±0.5 Seconds,95% coverage
 - 2.2.6. Soldering Heat:260±5℃ for 5±1 Seconds.

3. Product number code:



GENERAL TOLERANCE		ANGLE TOLERANCE		PROJECTION		TITLE	
X.	±0.60	X.	±5°	UNITS	mm	ZIF Socket	
.X	±0.38	.X	±3°	SHEET SIZE	A4	SERIES	DS1043-01 SERIES
.XX	±0.25	.XX	±2°	晨翔电子有限公司 CONNPLY ELECTRONIC CO. LTD			
DRAWING TYPE		CUSTOMER					
SCALE	1:1	SHEET	1 OF 1				
DRAWING NO.		C-DS1043-01-XXX-B					