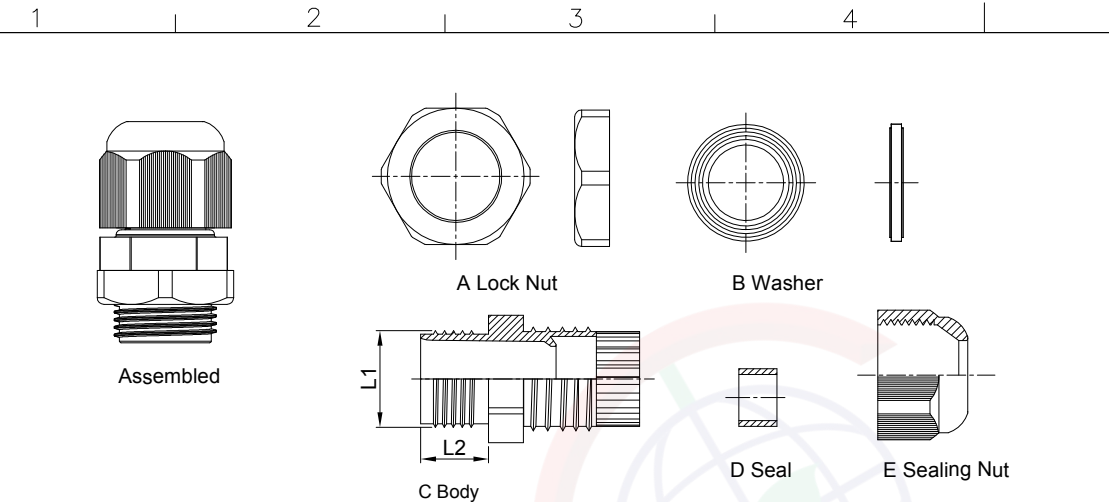


The information provided herein is from CONNELY Electronic Co., Ltd. and is confidential. Any disclosure to a party other than the recipient is prohibited. The intellectual properties and its rights contained herein, including but not limited to, trademarks, patents, copyrights, trade secrets, and technical know-how, are owned exclusively by CONNELY or its affiliates. Unauthorized use of this information in any format or manner. CONNELY may enforce its intellectual property rights at its own discretion; failures or delays to exercise such rights does not constitute a waiver of such rights.



Model	Cable Range(mm)	Thread O.D.L1(mm)	Thread Length L2(mm)	Spanner Size A&E(mm)
M12L	3-6.5	12	15	18/16
M12SL	2-5	12	15	18/16
M16L	4-8	16	15	22/19
M16SL	2-6	16	15	22/19
M18L	5-10	18	15	24/22
M18SL	3-7	18	15	24/22
M20L	6-12	20	15	27/24
M20SL	5-10	20	15	27/24
M22L	10-14	22	15	30/27
M22SL	7-12	22	15	30/27
M24L	10-15	24	15	30/28
M24SL	10-12	24	15	30/28
M25L	10-15	25	15	31/28
M25SL	10-12	25	15	31/28
M27L	13-18	27	15	35/33
M27SL	9-16	27	15	35/33
M28L	13-18	28	15	35/33
M28SL	9-16	28	15	35/33
M30L	16-21	30	15	37/35
M30SL	13-18	30	15	37/35
M32L	16-21	32	15	38/35
M32SL	13-18	32	15	38/35
M36L	18-25	36	15	45/42
M36SL	13-20	36	15	45/42
M40L	22-32	40	18	52/52
M40SL	20-26	40	18	52/52
M50	32-38	50	20	62/58
M50S	25-31	50	20	62/58
M63	37-44	63	20	72/64
M63S	29-35	63	20	72/64

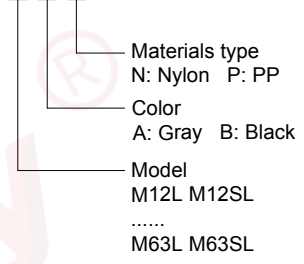


(Series Image-Reference Only)

REV.	DESCRIPTION	DRAWN	CHECKED	APPROVED
A	NEW RELEASE	JLZ 08/04/23'		

Notes:
Specifications:
 1. Temperature: -20°C~+80°C.
Materials:
 1. Material: Parts A,C,E are made of Nylon or PP; Parts B and D are made of NBR.
Product Number Code:

DS1170-04 - X X X



GENERAL TOLERANCE		ANGLE TOLERANCE		PROJECTION	TITLE
X.	±0.60	X.	±5°		Plastic fixed cable gland M*1.5-L type
.X	±0.38	.X	±3°	mm	
.XX	±0.25	.XX	±2°	A4	SHEET SIZE
DRAWING TYPE		CUSTOMER		SERIES DS1170-04 SERIES	
SCALE		1:1	SHEET		1 OF 4
DRAWING NO.		C-DS1170-04-XXX-A			

晨翔电子有限公司
CONNFLY CONNELY ELECTRONIC CO. LTD